

FOUR PLATE ASSEMBLY

LIST OF PARTS

- ① — 1/2" CAP NUT ZINC ALLOY
- ② — CENTER ROD FOUR PLATE 19 1/2"
- ③ — 6" FEMALE SEPARATOR ALUMINUM
- ④ — 6" MALE SEPARATOR ALUMINUM
- ⑤ — ALUMINUM PLATE NUT NO. 8 HEX. OR RIVITS
- ⑥ — ALUMINUM PLATE BOLT NO. 8 X 1/2" PHILLIPS HEAD
- ⑦ — STREET NAME SIGN ADAPTER

NOTE
SIGN LOCATION TO BE DETERMINED BY THE CITY ENGINEER. NAME PLATES AND MOUNTING ASSEMBLIES TO MEET THE REQUIREMENTS OF THE CITY ENGINEER.

| | | |
|-----------|---------|------|
| NO. | REVISED | DATE |
| REVISIONS | | |

CITY OF FREMONT
STANDARD DETAILS
STREET NAME SIGN
AND POST DETAILS

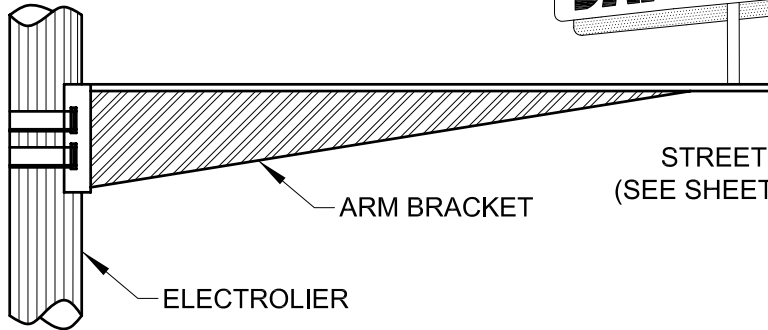
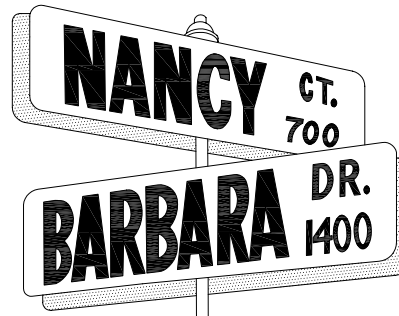
DATE APPROVED BY CITY COUNCIL
04/11/06

RESOLUTION NO. 2006-31

Ham Hughes

CITY ENGINEER

| | | | | | | |
|--------------------------|---------------|-------------|---------------|------------------|------------------|--------|
| FILE NO. SD-26-05.DWG | SCALE NONE | DRAWN DC | CHECKED KC | DATE 03/14/06 | DWG NO. SD-23 | 1 of 3 |
|--------------------------|---------------|-------------|---------------|------------------|------------------|--------|

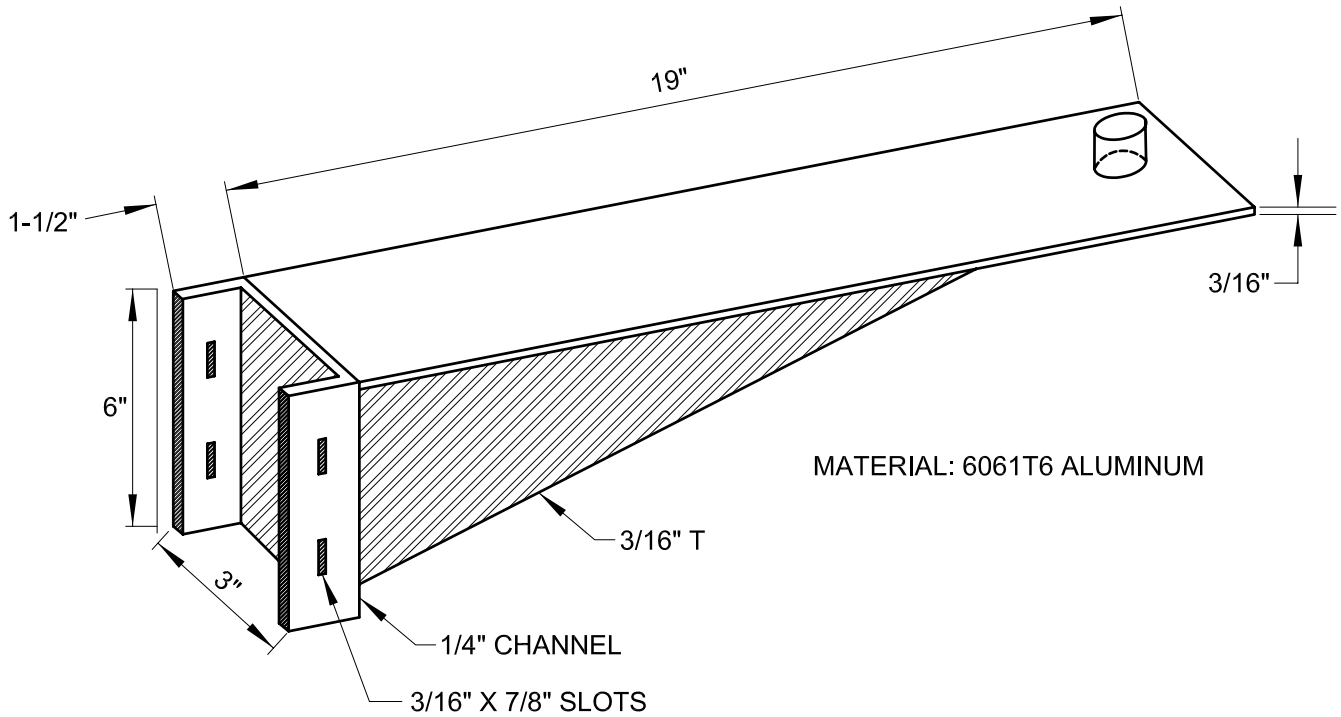


STREET NAME SIGNS
(SEE SHEET 1 FOR DETAILS)

ARM BRACKET

ELECTROLIER

ASSEMBLED BRACKET



MATERIAL: 6061T6 ALUMINUM

3/16" T

1/4" CHANNEL

3/16" X 7/8" SLOTS

ARM BRACKET FOR ELECTROLIER

| | | |
|-----------|---------|------|
| NO. | REVISED | DATE |
| REVISIONS | | |

CITY OF FREMONT
STANDARD DETAILS
STREET NAME SIGN
AND POST DETAILS

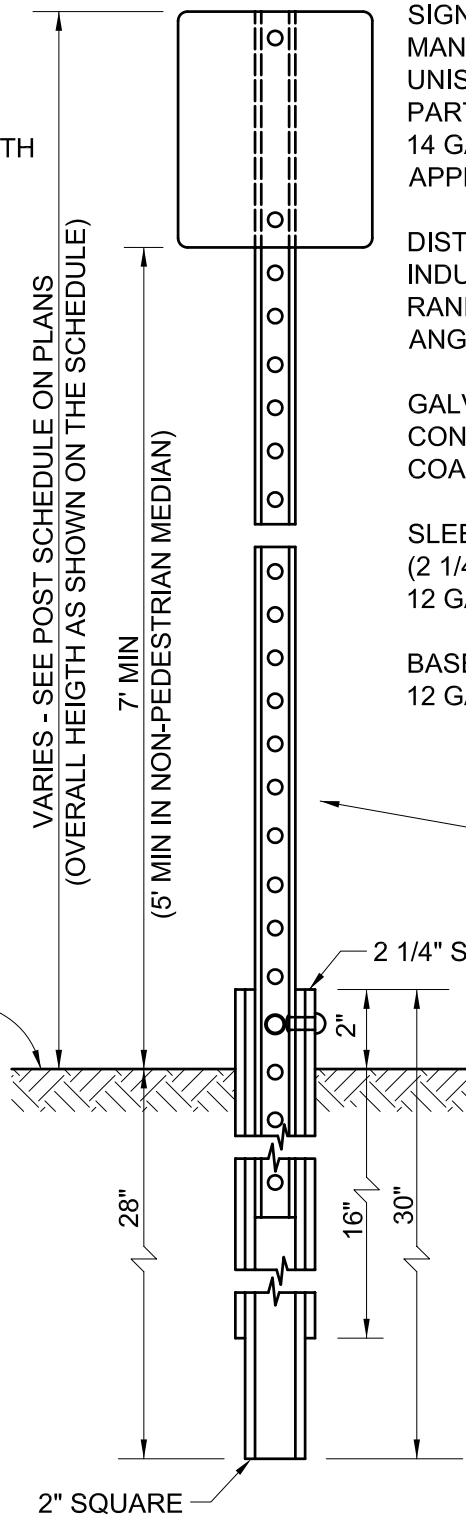
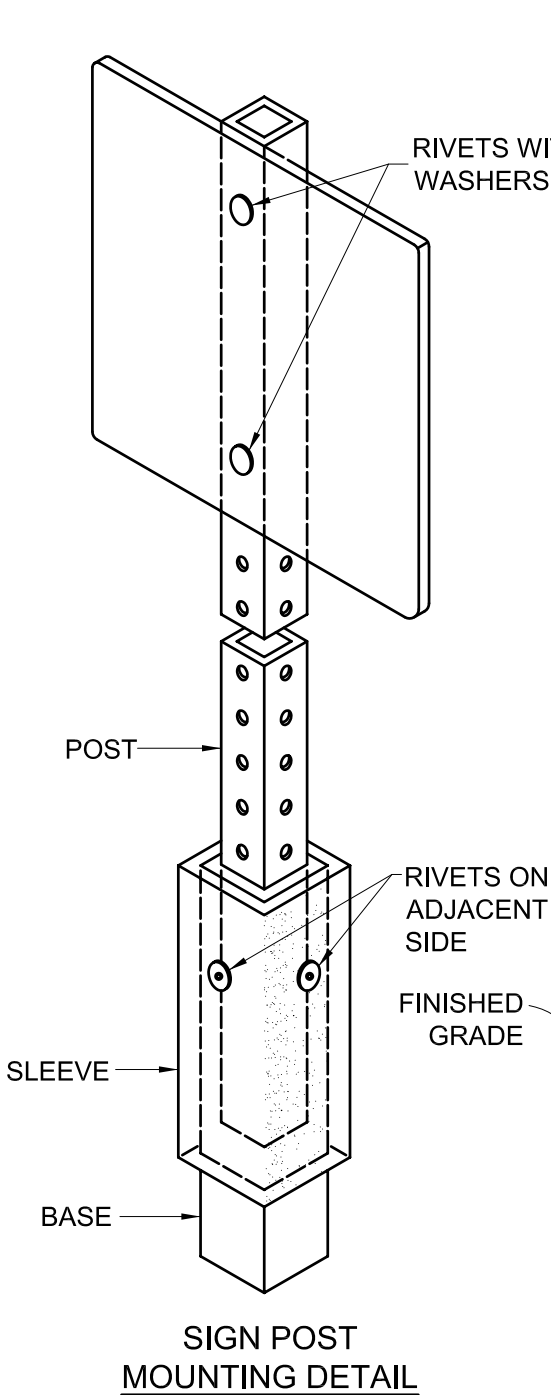
DATE APPROVED BY CITY COUNCIL
04/11/06

RESOLUTION NO. 2006-31

Ham Hughes

CITY ENGINEER

| | | | | | | |
|--------------------------|---------------|-------------|---------------|------------------|------------------|--------|
| FILE NO. SD-26-05.DWG | SCALE NONE | DRAWN DC | CHECKED KC | DATE 03/14/06 | DWG NO. SD-23 | 2 of 3 |
|--------------------------|---------------|-------------|---------------|------------------|------------------|--------|



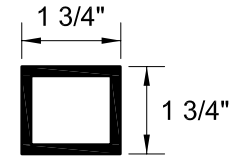
SIGN POST SHALL BE MANUFACTURED BY UNISTRUT CORPORATION. PART NO. 16D12 (1 3/4 X 1 3/4) 14 GA. GALV. POST OR APPROVED EQUAL

DISTRIBUTION BY ZUMAR INDUSTRIES, INC. 6371 RANDOLPH STREET, LOS ANGELES, CA 90040.

GALVANIZED FINISH TO CONFORM TO ASTM A525 G90 COATING.

SLEEVE SHALL BE A653 (2 1/4" X 2 1/4" X 18") 12 GA. GALV. STEEL.

BASE SHALL BE (2" X 2" X 30") 12 GA. GALV. STEEL.



POST SHALL BE PRODUCED FROM HIGH STRENGTH RAIL STEEL ACCORDING TO ASTM A715, GRADE 60.

CITY OF FREMONT
STANDARD DETAILS
TRAFFIC SIGN POST

DATE APPROVED BY CITY COUNCIL
04/11/06

RESOLUTION NO. 2006-31

Ham Hughes

CITY ENGINEER

| NO. | REVISED | DATE |
|-----------|---------|------|
| REVISIONS | | |

| | | | | | | |
|--------------------------|---------------|-------------|---------------|------------------|------------------|--------|
| FILE NO. SD-26-05.DWG | SCALE NONE | DRAWN DC | CHECKED KC | DATE 03/08/06 | DWG NO. SD-23 | 3 of 3 |
|--------------------------|---------------|-------------|---------------|------------------|------------------|--------|