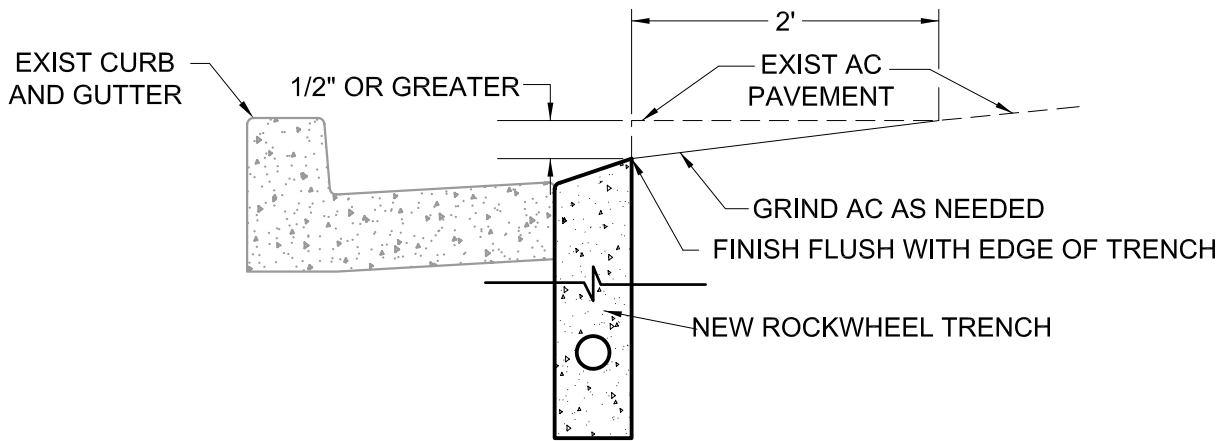
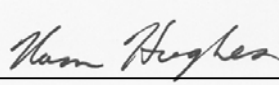
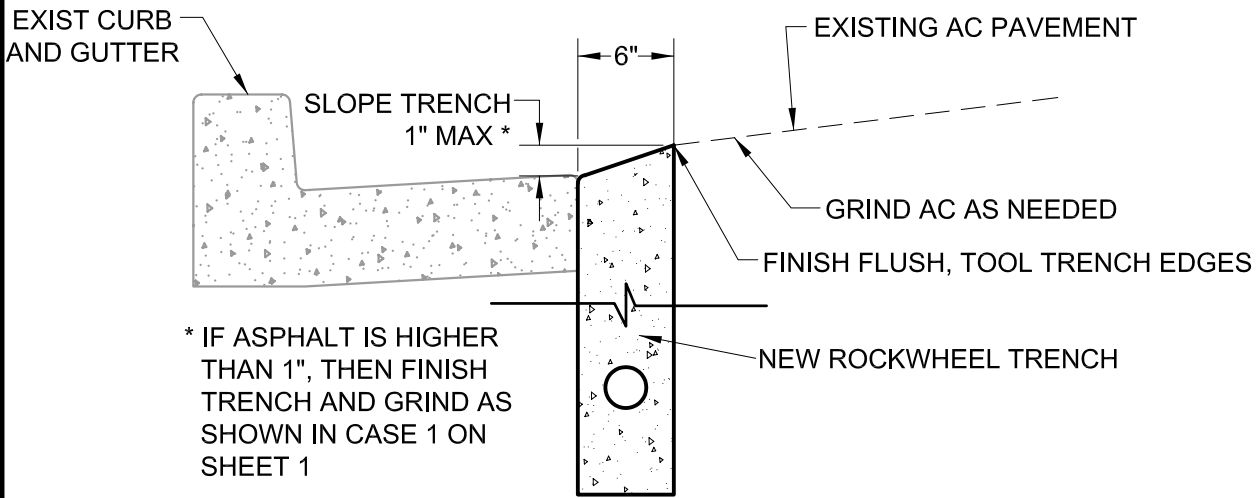


ROCKWHEEL TRENCH - CASE 1



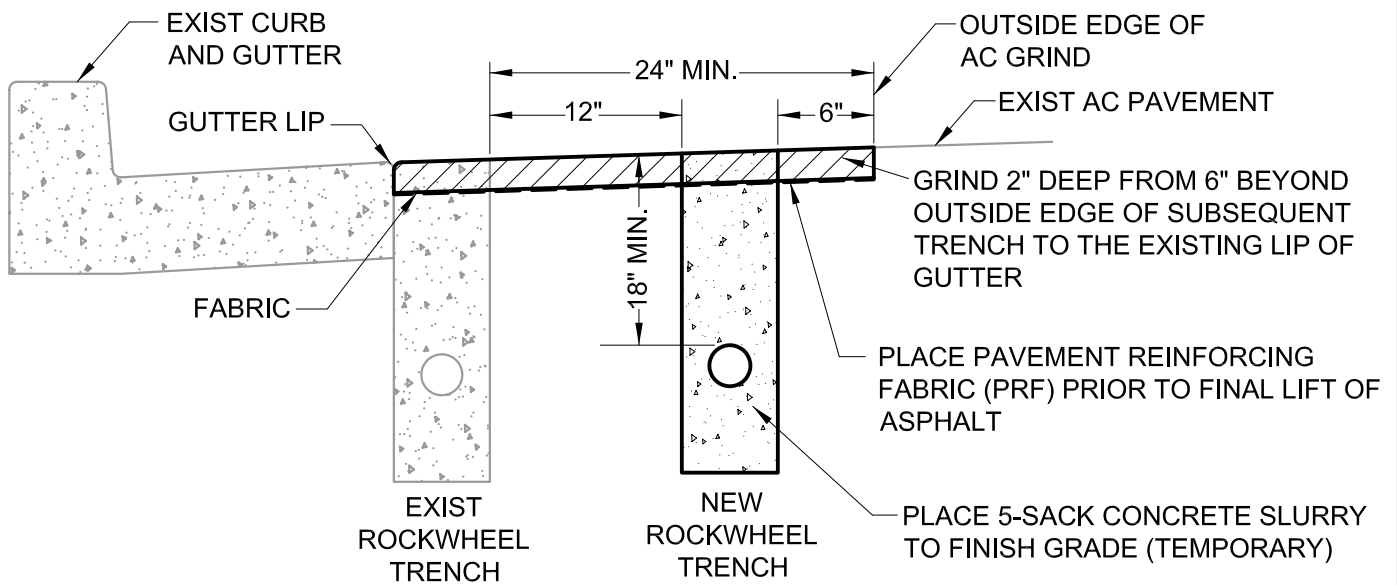
ROCKWHEEL TRENCH ADJACENT TO HIGH ASPHALT - CASE 2
(TRENCHES INSTALLED PRIOR TO 08/03/95)

			CITY OF FREMONT STANDARD DETAILS			DATE APPROVED BY CITY COUNCIL 04/11/06	
						RESOLUTION NO. 2006-31	
			<u>ROCKWHEEL TRENCH</u>			 CITY ENGINEER	
NO.	REVISED	DATE					
REVISIONS							
FILE NO.	SCALE	DRAWN	CHECKED	DATE	DWG NO.		
SD-31-06.DWG	NONE	WPM	KC	03/09/06	SD-31	1 of 2	



* IF ASPHALT IS HIGHER THAN 1", THEN FINISH TRENCH AND GRIND AS SHOWN IN CASE 1 ON SHEET 1

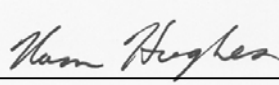
ROCKWHEEL TRENCH ADJACENT TO HIGH ASPHALT
CASE "A1"



NOTE:

TRENCHES IN THIS CONFIGURATION GREATER THAN 4 FEET WIDE OR 200 FEET LONG WILL BE PAVED WITH A SPREADER BOX OR PAVING MACHINE

ROCKWHEEL TRENCH
(NEW CONSTRUCTION)

			CITY OF FREMONT			DATE APPROVED BY CITY COUNCIL	
			STANDARD DETAILS			04/11/06	
			<u>ROCKWHEEL TRENCH</u>			RESOLUTION NO. 2006-31	
			 CITY ENGINEER				
NO.	REVISED	DATE					
REVISIONS			FILE NO.	SCALE	DRAWN	CHECKED	DATE
			SD-X13.DWG	NONE	WPM	KC	03/14/06
			DWG NO.		2 of 2		
			SD-31				