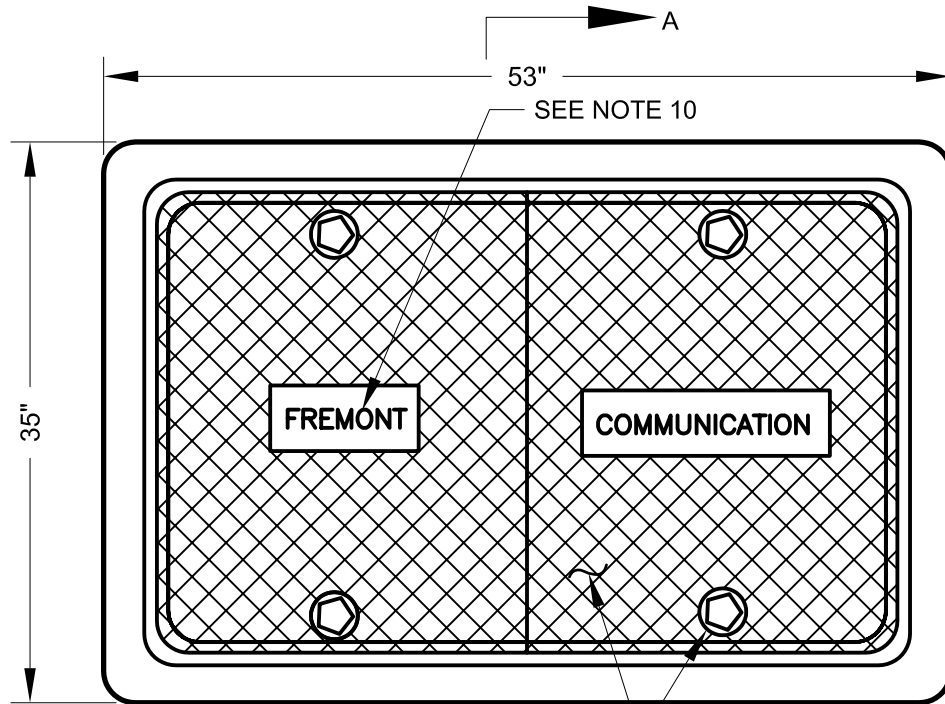


PLAN VIEW



53"
SEE NOTE 10

35"

FREMONT

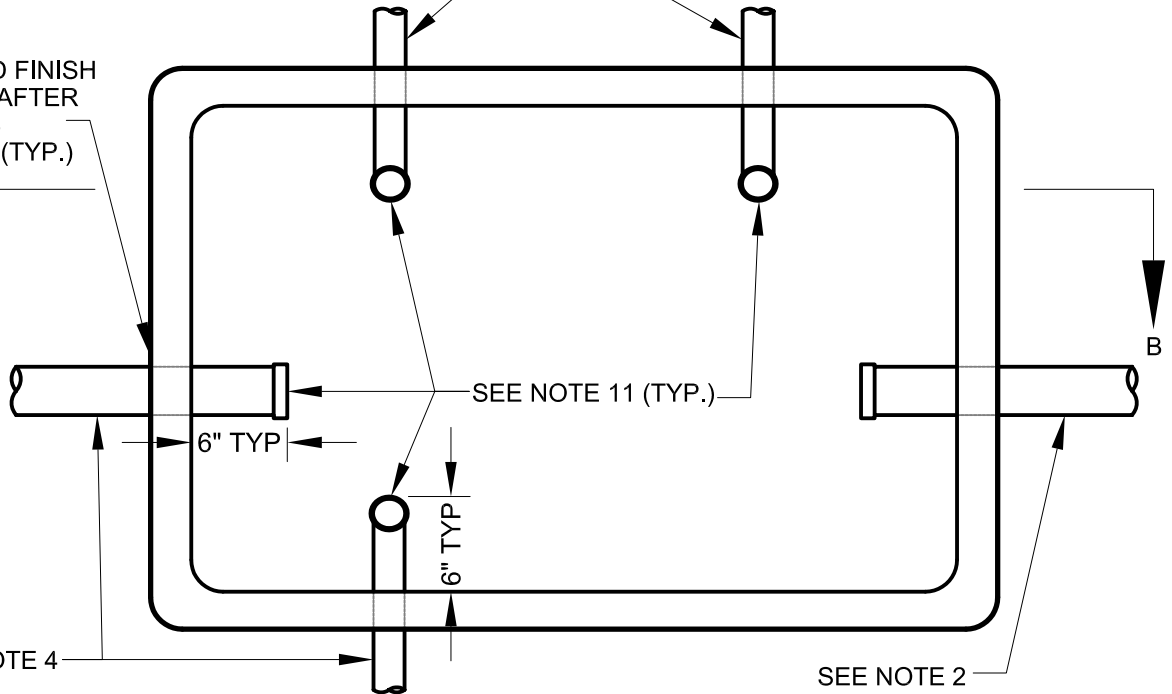
COMMUNICATION

2 PIECE STEEL CHECKER
PLATE LID WITH HOLD
DOWN BOLTS (TYP.)

SEE NOTE 4

GROUT AND FINISH
OPENINGS AFTER
CONDUIT IS
INSTALLED (TYP.)

PLAN VIEW



B

B

SEE NOTE 11 (TYP.)

6" TYP

6" TYP

SEE NOTE 4

SEE NOTE 2

CITY OF FREMONT
STANDARD DETAILS

COMMUNICATIONS PULL BOX
(FIBER OPTIC SPLICE CLOSURE)

DATE APPROVED BY CITY COUNCIL
04/11/06

RESOLUTION NO. 2006-31

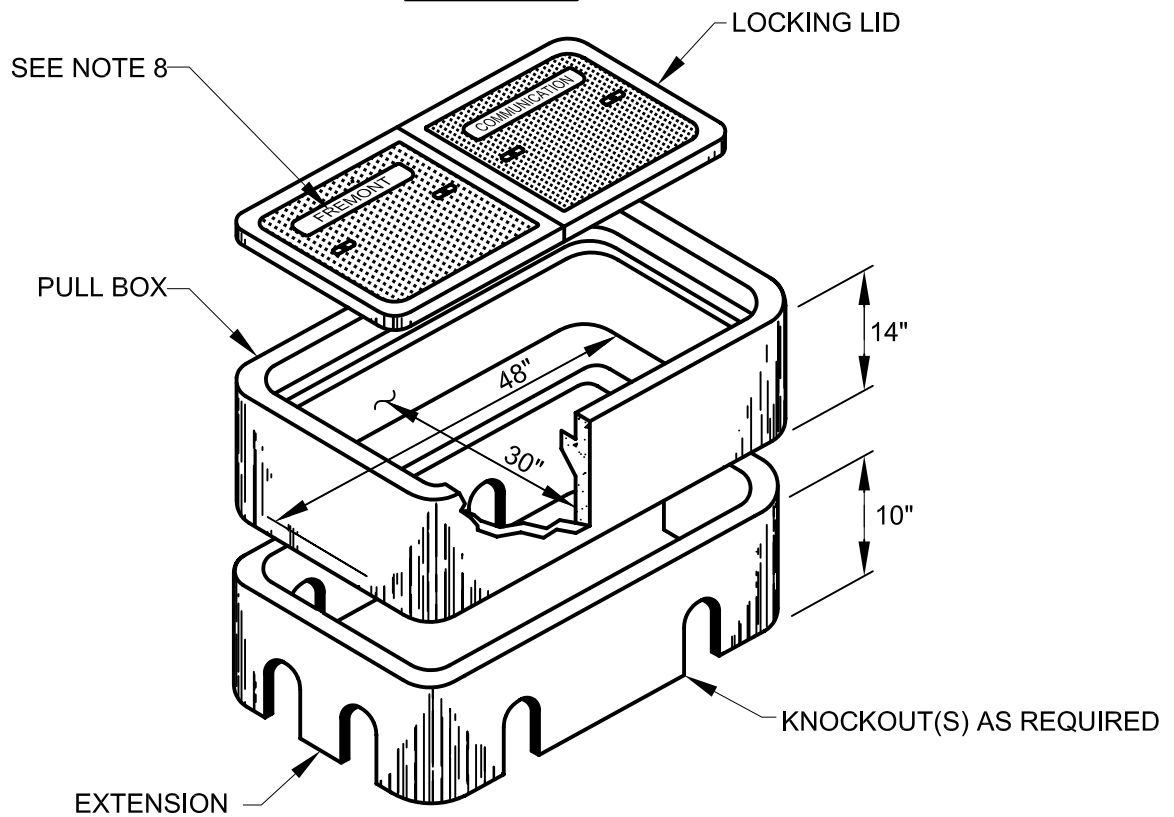
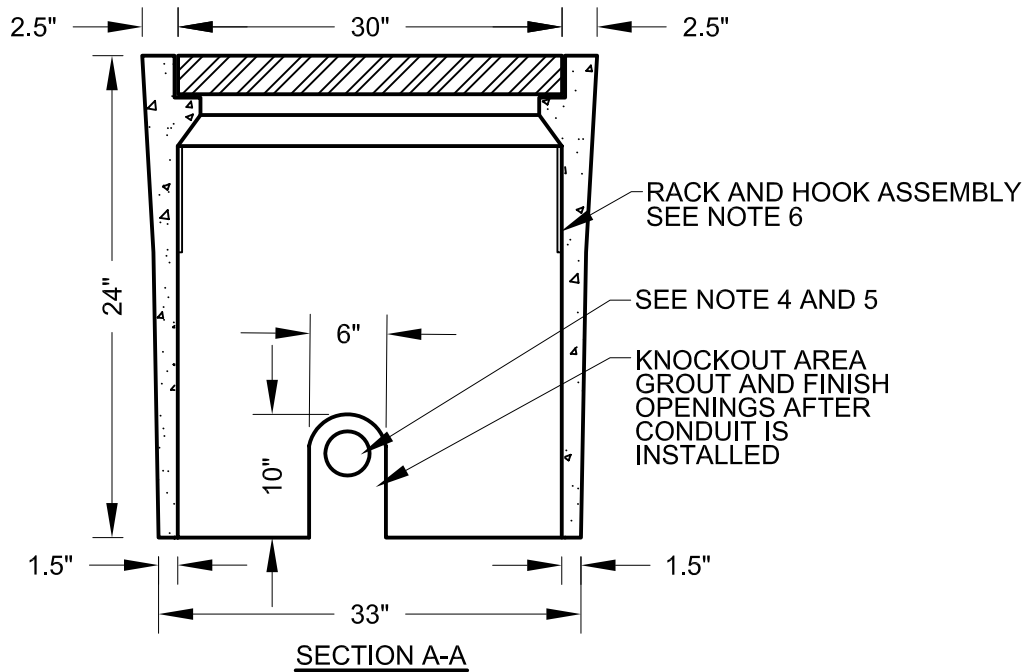
Ham Hughes

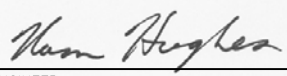
CITY ENGINEER

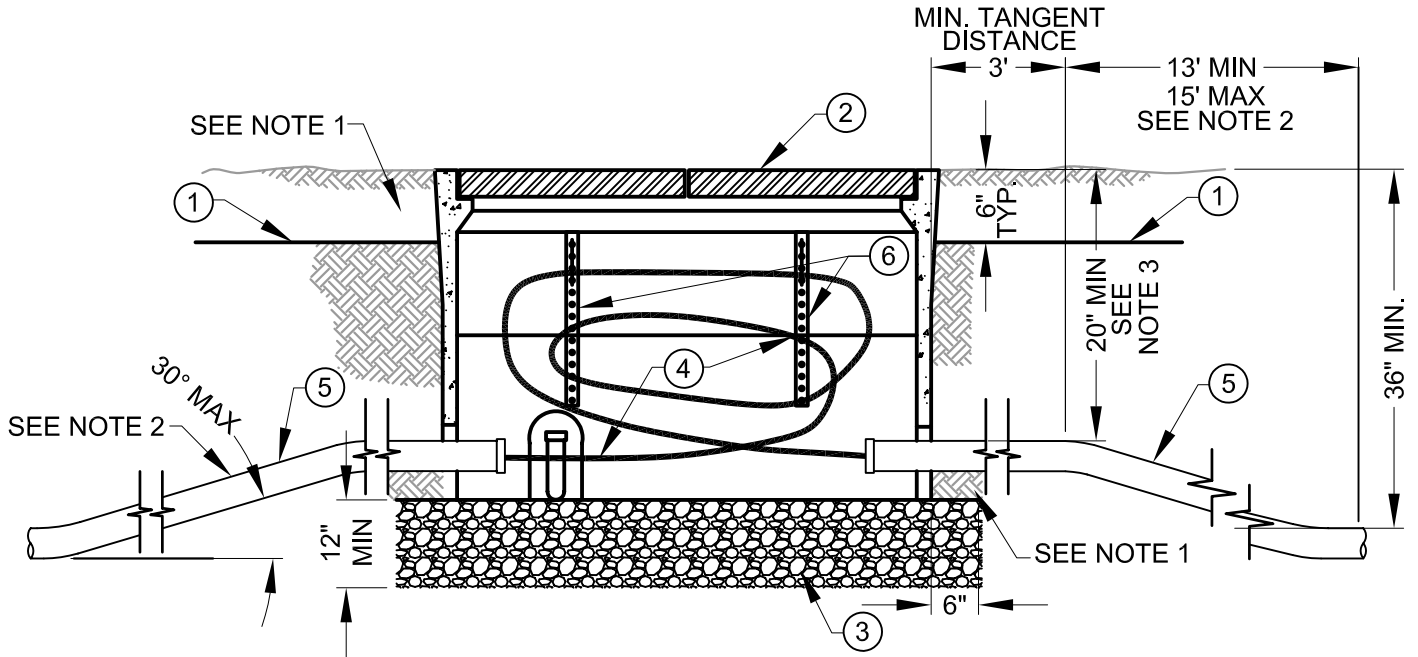
NO.	REVISED	DATE

REVISIONS

FILE NO. TSD-3.dwg	SCALE NOT TO SCALE	DRAWN SLM	CHECKED EPE	DATE 12/2005	DWG NO. TSD-3	1 of 4
-----------------------	-----------------------	--------------	----------------	-----------------	------------------	--------



			CITY OF FREMONT STANDARD DETAILS			DATE APPROVED BY CITY COUNCIL 04/11/06				
						RESOLUTION NO. 2006-31				
			COMMUNICATIONS PULL BOX (FIBER OPTIC SPLICE CLOSURE)			 CITY ENGINEER				
NO. REVISED DATE REVISIONS						FILE NO. TSD-3.dwg		SCALE NOT TO SCALE	DRAWN SLM	CHECKED EPE



SECTION B-B

ITEM	DESCRIPTION
①	WARNING TAPE (IF OPEN TRENCH)
②	F/O PULL BOX WITH LID & EXTENSION
③	BEDDING MATERIAL
④	COMMUNICATION CABLE
⑤	CONDUIT (SEE PLANS FOR SIZE AND QUANTITY)
⑥	RACK & HOOK ASSEMBLY (SEE NOTE 6)

NO.	REVISED	DATE
REVISIONS		

CITY OF FREMONT
STANDARD DETAILS
COMMUNICATIONS PULL BOX
(FIBER OPTIC SPLICE CLOSURE)

DATE APPROVED BY CITY COUNCIL
04/11/06

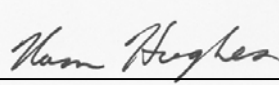
RESOLUTION NO. 2006-31

Ham Hughes
CITY ENGINEER

FILE NO. TSD-3.dwg	SCALE NOT TO SCALE	DRAWN SLM	CHECKED EPE	DATE 12/2005	DWG NO. TSD-3	3 of 4
-----------------------	-----------------------	--------------	----------------	-----------------	------------------	--------

COMMUNICATIONS PULL BOX (FIBER OPTIC SPLICE CLOSURE) NOTES:

1. BACKFILL ACCORDING TO CALTRANS STANDARD PLANS AND SPECS.
2. CONDUIT(S) FROM THE TYPICAL TRENCH SECTION SHOULD NOT DEFLECT BY MORE THAN 1 FOOT PER 10 FEET FROM THE ALIGNMENT PRECEDING OR FOLLOWING PULL BOX ENTRANCE/EXIT.
3. TOP OF CONDUITS ENTERING THROUGH SIDE OF PULL BOX SHALL BE LOCATED AT LEAST 20 INCHES BELOW EXISTING FINISHED GROUND.
4. SEE PROJECT PLAN SHEETS FOR NUMBER AND SIZE OF CONDUIT.
5. IF MORE THAN 3 CONDUITS ARE REQUIRED, KNOCKOUT SHALL BE WIDENED $\frac{1}{4}$ INCH MORE THAN THE ADDITIONAL CONDUIT WIDTH.
6. ALL PULL BOXES SHALL BE FURNISHED WITH TWO RACKS & HOOKS INSTALLED ON EACH OF THE TWO LONG SIDES.
7. CONDUITS SHALL ENTER THROUGH KNOCKOUTS.
8. PULL BOX AND STEEL COVER SHALL SUPPORT AASHTO H20-44 TRUCK LOADING.
9. LOCKING MECHANISM SHALL BE PROVIDED FOR COVER. FOUR $\frac{3}{4}$ INCH PENTA HEAD BOLTS AT 90° SHALL BE USED. ONE $\frac{3}{4}$ INCH PENTA HEAD SOCKET AND RATCHET SHALL BE PROVIDED WITH EVERY 10 PULL BOXES.
10. "FREMONT COMMUNICATION" SHALL BE THE TITLE INTEGRATED IN THE LID.
11. ALL CONDUITS SHALL HAVE BELL ENDS.
12. INSTALL CONDUIT PLUGS ON EACH CONDUIT ENTERING THE PULL BOX, IF NOT USED.
13. FURNISH AND INSTALL CAPS OR DUCT PLUGS FOR ALL UNUSED CONDUIT.
14. PULL BOX HEIGHT ABOVE FINISHED GRADE SHALL PERMIT 2 INCH OF SURFACE LANDSCAPING, IF APPLICABLE, TO MATCH EXISTING CONDITIONS.
15. WHEN A NEW PULL BOX IS INSTALLED TO REPLACE A SMALLER EXISTING PULL BOX, MODIFY EXISTING CONDUITS TO CONFORM WITH INSTALLATION DETAILS SHOWN ON THIS SHEET UNLESS OTHERWISE APPROVED BY THE ENGINEER.

			<h2 style="margin: 0;">CITY OF FREMONT</h2> <h3 style="margin: 0;">STANDARD DETAILS</h3> <h3 style="margin: 0;">COMMUNICATIONS PULL BOX</h3> <h3 style="margin: 0;">(FIBER OPTIC SPLICE CLOSURE)</h3>			DATE APPROVED BY CITY COUNCIL 04/11/06 <hr/> RESOLUTION NO. 2006-31 <hr/>  CITY ENGINEER		
NO.	REVISED	DATE	REVISIONS					
FILE NO.	SCALE	DRAWN	CHECKED	DATE	DWG NO.			
TSD-3.dwg	NOT TO SCALE	SLM	EPE	12/2005	TSD-3	4 of 4		