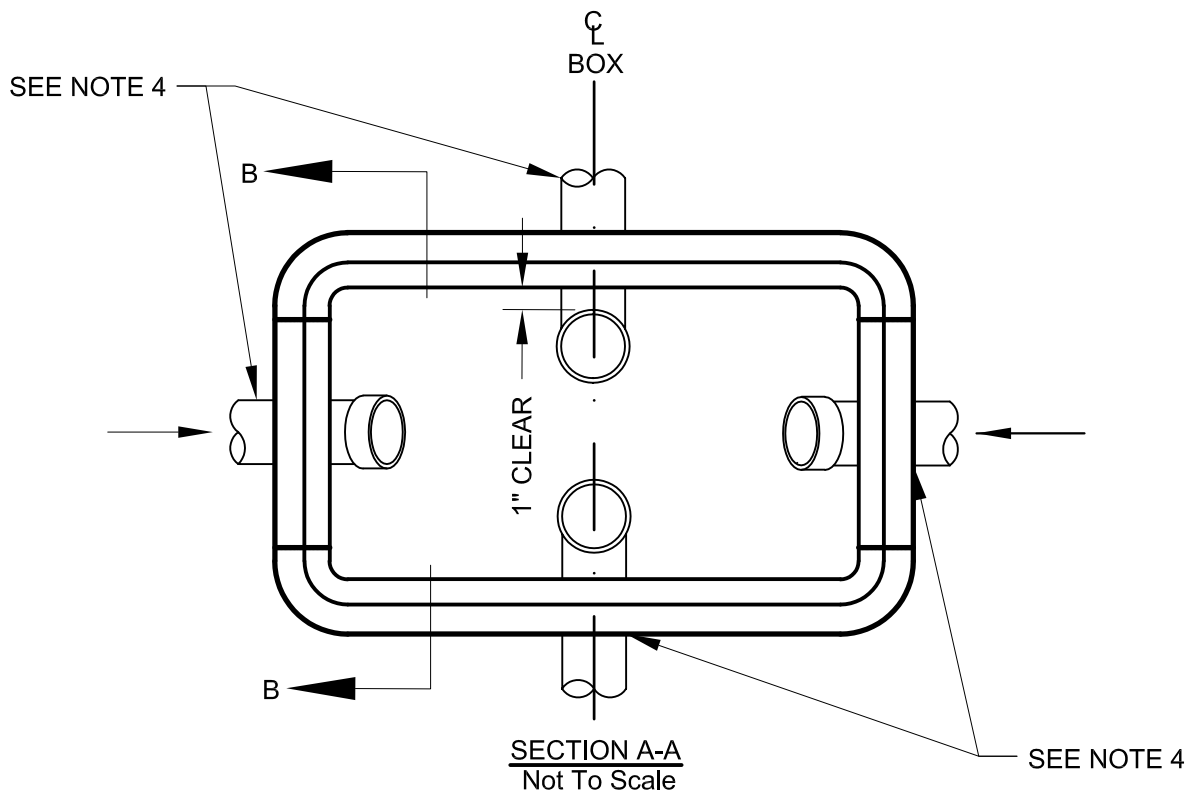
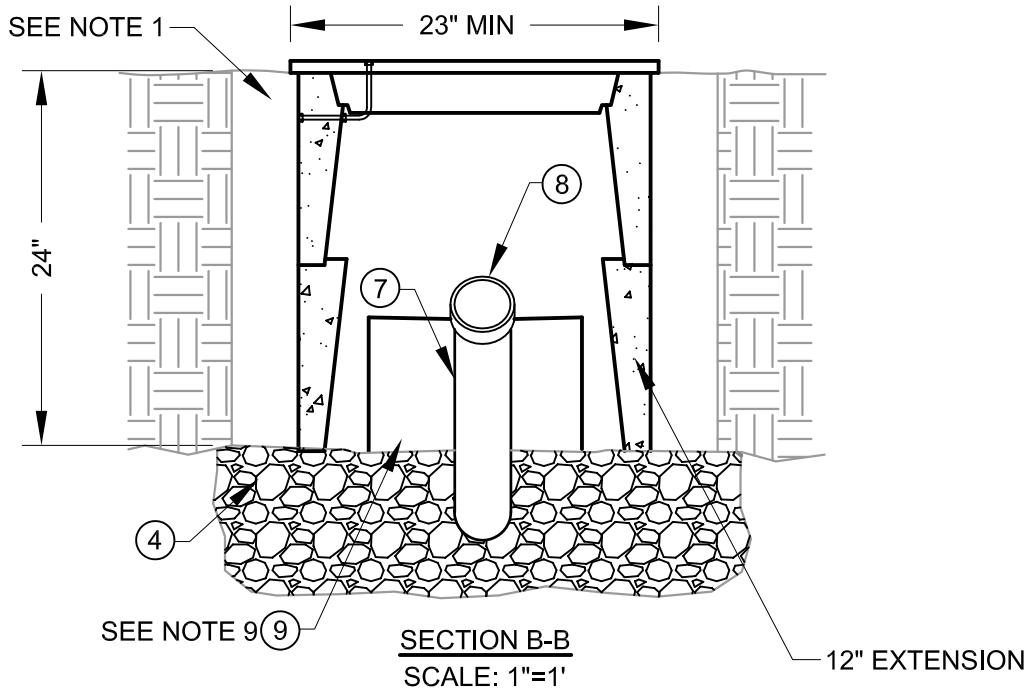


ITEM	DESCRIPTION
(1)	WARNING TAPE (IF OPEN TRENCH)
(2)	30 LB FELT PAPER
(3)	NO. 6 PULL BOX WITH EXTENSION WITH EXCEPTIONS AS DRAWN
(4)	BEDDING MATERIAL
(5)	COMMUNICATION CABLE
(6)	CONDUIT (SEE PLANS FOR SIZE AND QUANTITY)
(7)	45 DEGREE PVC ELBOW, 36" RADIUS
(8)	CONDUIT BELL END (TYPICAL)
(9)	KNOCK OUT 8" X 12"

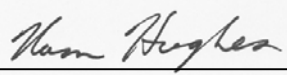
			CITY OF FREMONT			DATE APPROVED BY CITY COUNCIL 04/11/06	
			STANDARD DETAILS			RESOLUTION NO. 2006-31	
			COMMUNICATIONS PULL BOX			<i>Ham Hughes</i> CITY ENGINEER	
			(No. 6)				
NO.	REVISED	DATE					
REVISIONS							
FILE NO.	SCALE	DRAWN	CHECKED	DATE	DWG NO.		
TSD-4.dwg	NOT TO SCALE	SLM	EPE	12/2005	TSD-4	1 of 3	



			CITY OF FREMONT STANDARD DETAILS			DATE APPROVED BY CITY COUNCIL 04/11/06			
						RESOLUTION NO. 2006-31			
COMMUNICATIONS PULL BOX (No. 6)			<i>Ham Hughes</i> CITY ENGINEER						
NO.	REVISED	DATE	FILE NO.	SCALE	DRAWN	CHECKED	DATE	DWG NO.	
REVISIONS			TSD-4.dwg	AS SHOWN	SLM	EPE	12/2005	TSD-4	2 of 3

COMMUNICATIONS PULL BOX (No. 6) DETAIL NOTES:

1. BACKFILL ACCORDING TO CALTRANS STANDARD PLANS AND SPECS.
2. IF BOX IS PLACED IN TRAFFIC, DRIVEWAY AREAS OR PLANTER STRIP, THE BOX SHALL BE RATED FOR H2O LOADING AND STEEL COVER SHALL BE USED.
3. CONDUIT FROM THE TYPICAL TRENCH SECTION SHOULD NOT DEFLECT BY MORE THAN 1 FOOT PER 10 FEET FROM THE ALIGNMENT PRECEDING OR FOLLOWING THE PULL BOX.
4. SEE PLAN SHEETS FOR NUMBER AND SIZE OF CONDUIT. IF MORE THAN 3 CONDUITS ARE REQUIRED, KNOCKOUT SHALL BE WIDENED $\frac{1}{2}$ INCH MORE THAN THE ADDITIONAL CONDUIT WIDTH.
5. BOTTOM OF CONDUIT CENTERLINE SHALL BE ALIGNED TO EXIT TOP OF PULL BOX TO FACILITATE CABLE PULLING.
6. "FREMONT COMMUNICATION" SHALL BE THE TITLE INTEGRATED IN THE LID.
7. USE FELT PAPER TO BLOCK OPENING BETWEEN CONDUITS.
8. PULL BOX HEIGHT ABOVE FINISHED GRADE SHALL PERMIT 2 INCH OF SURFACE LANDSCAPING, IF APPLICABLE, TO MATCH EXISTING CONDITIONS.
9. WHEN A NEW PULL BOX IS INSTALLED TO REPLACE A SMALLER EXISTING PULL BOX, THE CONTRACTOR SHALL MODIFY EXISTING CONDUITS TO CONFORM WITH INSTALLATION DETAILS SHOWN ON THIS SHEET UNLESS OTHERWISE APPROVED BY THE ENGINEER.

			<p>CITY OF FREMONT STANDARD DETAILS</p> <p><u>COMMUNICATIONS PULL BOX</u> (No. 6)</p>			DATE APPROVED BY CITY COUNCIL 04/11/06	
						RESOLUTION NO. 2006-31	
						 <small>CITY ENGINEER</small>	
NO.	REVISED	DATE					
REVISIONS							
FILE NO.	SCALE	DRAWN	CHECKED	DATE	DWG NO.		
TSD-4.dwg	NOT TO SCALE	SLM	EPE	12/2005	TSD-4	3 of 3	