

## Fire Appliance Sign Identification Guideline

### Purpose

To establish consistent guidelines for the identification of Fire Department Connections, Post Indicator Valves, Sectional Valves, and Fire Department Risers.

### Authority

California Fire Code

### Policy

It shall be the policy of the Fremont Fire Department to require new developments, and existing developments lacking appropriate fire protection signage, to provide signs that indicate the type of appliance and the area protected under the following guidelines:

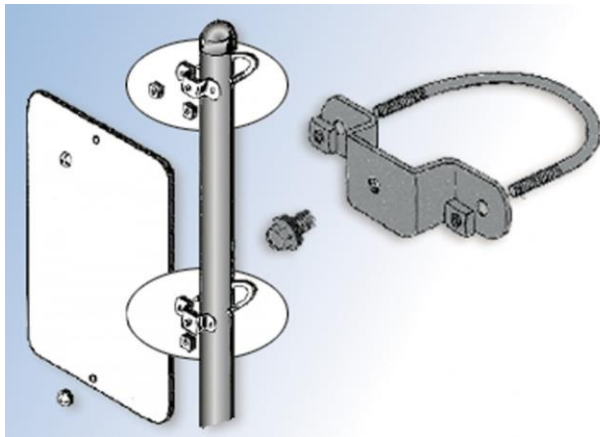
- Dimension: Signs shall have a minimum dimension of 8 inches by 6 inches. The minimum dimension may be increased to accommodate required information.
- Material: Signs shall be .080 Aluminum or the equivalent Dibond material. Dibond is two .040 pieces of aluminum with a thermoplastic core between the two sheets. **The thermoplastic core discourages aluminum theft.**
- Reflective Sheathing: Red reflective background and white reflective sheathing shall be engineer grade reflective vinyl.
- Lettering: Lettering shall be in accordance with the Manual on Uniform Traffic Control Devices (MUTDC) 2012 California Edition. Lettering indicating the type of appliance shall be Type “C” and lettering indicating the address or areas served will be type “D”.
- Letter Size: The letter size indicating the type of appliance shall be 1 inch stroke. The letter indicating the address or area served shall be .5 inch stroke.

The types of appliances which require signs includes, but is not limited to the following:

Lettering on Sign	Appliance Type
PIV	Post Indicator Valve
FDC	Fire Department Connection
Sectional Valve	Sectional Valve
Control Valve	Control Valve
AFES Riser	Fire Sprinkler Riser

The address or area protected by the appliance shall be indicated by the address number(s) and street or area served by the appliance. The area served shall be used in lieu of an address when designated and approved by the Fire Marshal or their designee.

Signage to be mounted to Appliance via a U-Bolt (Shown below) or approved method by the AHJ.



Examples

Sectional  
Valve

1 of 4

PIV

1234 Any Street

FDC

123 & 125 Any Street

Control  
Valve

Fire Sprinkler

AFES Riser

3<sup>rd</sup> Floor